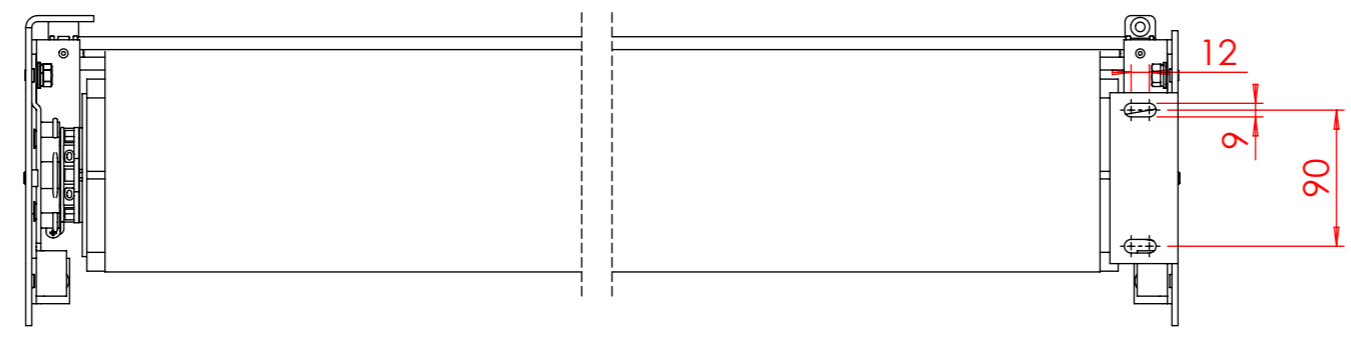
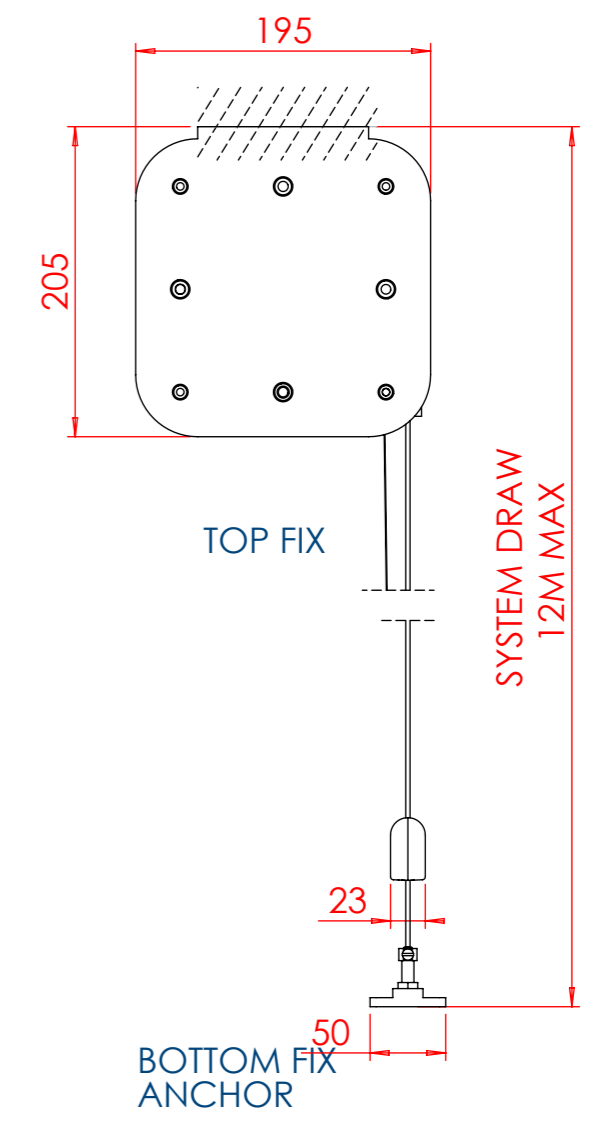
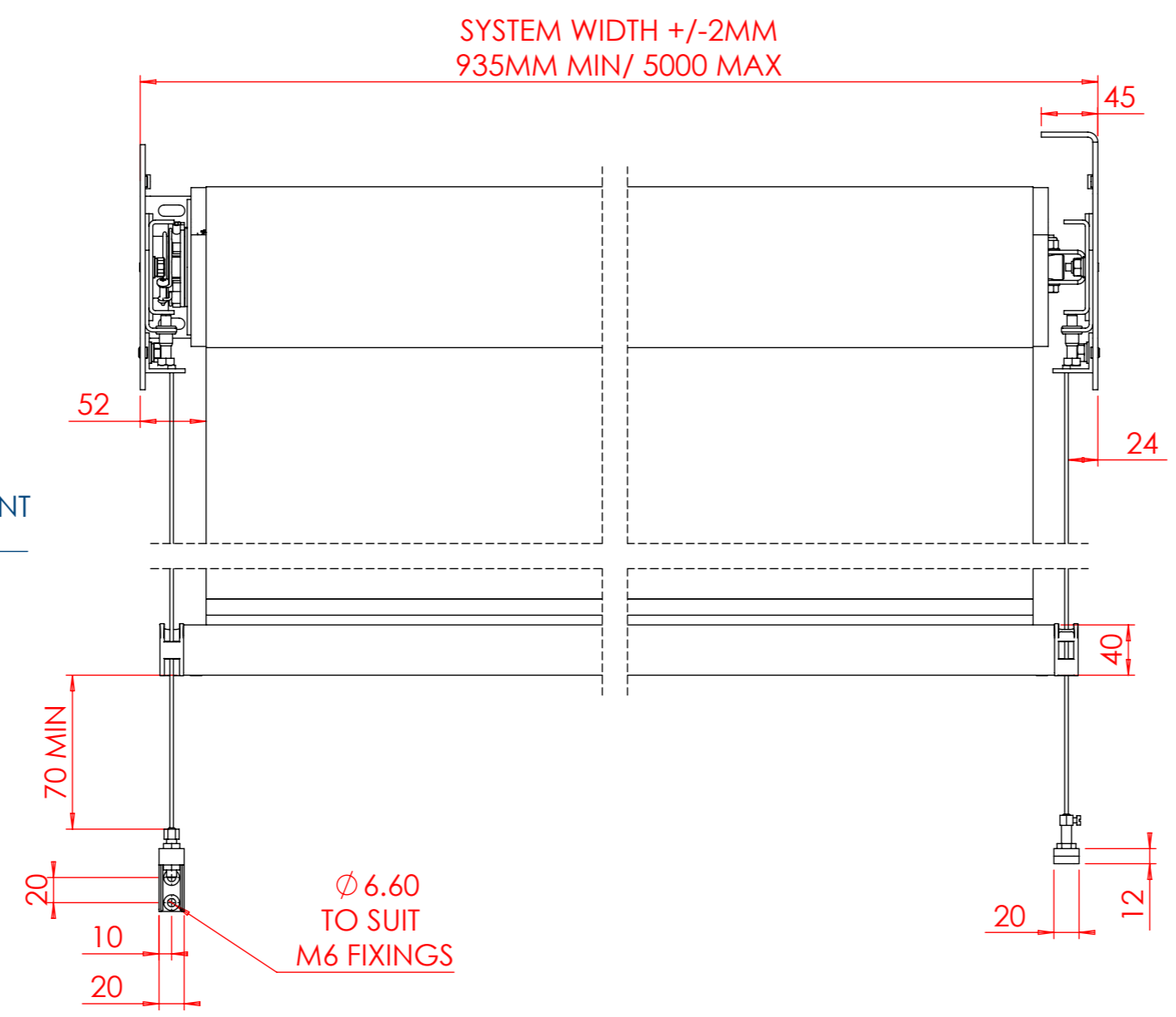
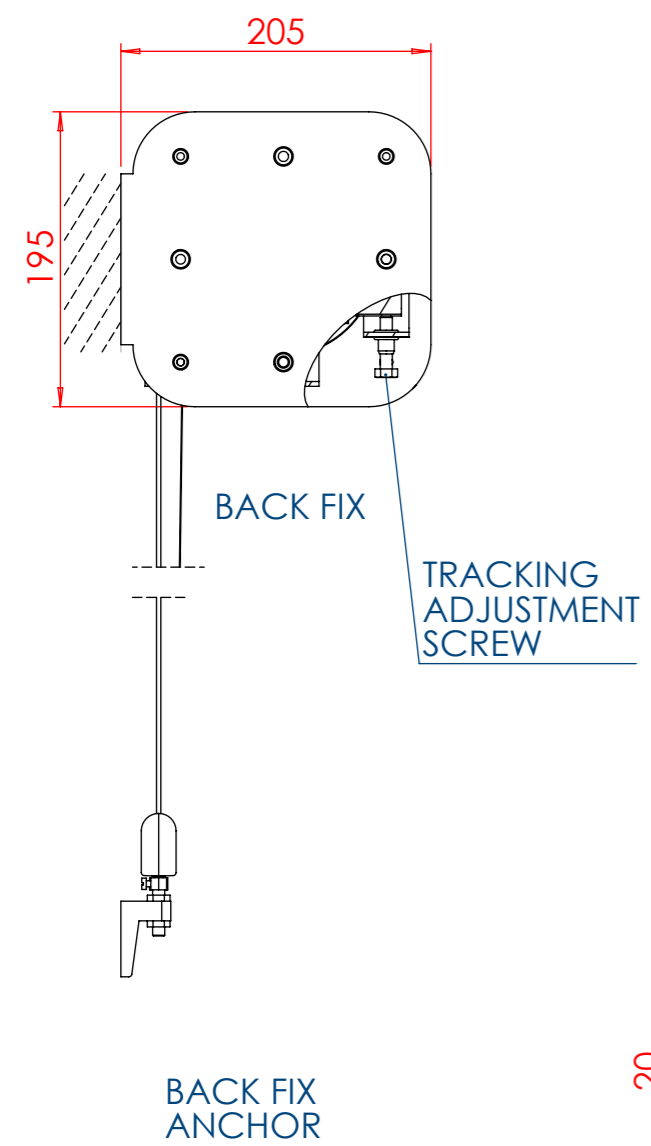


PRODUCTION	NO
PURCHASING	NO
SALES	NO
MARKETING	NO



M8 FIXINGS
REQUIRED
(NOT SUPPLIED)



THIRD ANGLE PROJECTION	
REMOVE ALL SHARP EDGES	
IF IN DOUBT ASK	DO NOT SCALE
GENERAL TOLERANCES TO ISO2768-m	
ALL DIMNS.IN mm	DRAWN TO BS308

This drawing is copyright and the exclusive property of GUTHRIE DOUGLAS GROUP LTD and must not be copied, used or exhibited without prior written consent.

Guthrie Douglas

12 Heathcote Way, Heathcote Industrial Estate,
Warwick CV34 6TE, UK
Tel : (01926) 310850 Fax : (01926) 832914

Customer	STANDARD		
Material	Scale	Size	
	1:5	A3	
Surface Finish	Special		

TESS 312

INSTALLATION DRAWING

Product Group	SOLAR		Item No.	5983
Drawn eng.trainee	Date 23-07-2013	Checked thomas.allies	Date 14-05-2025	
DRG.NO:	GDP24593 / 04			
SHEET 1 OF 1 SHEETS				