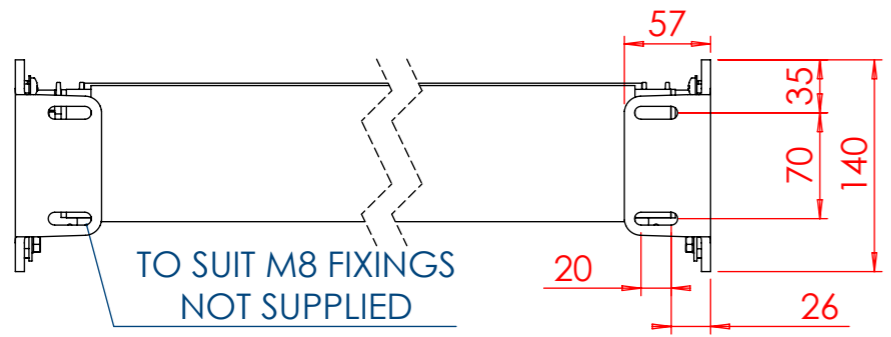
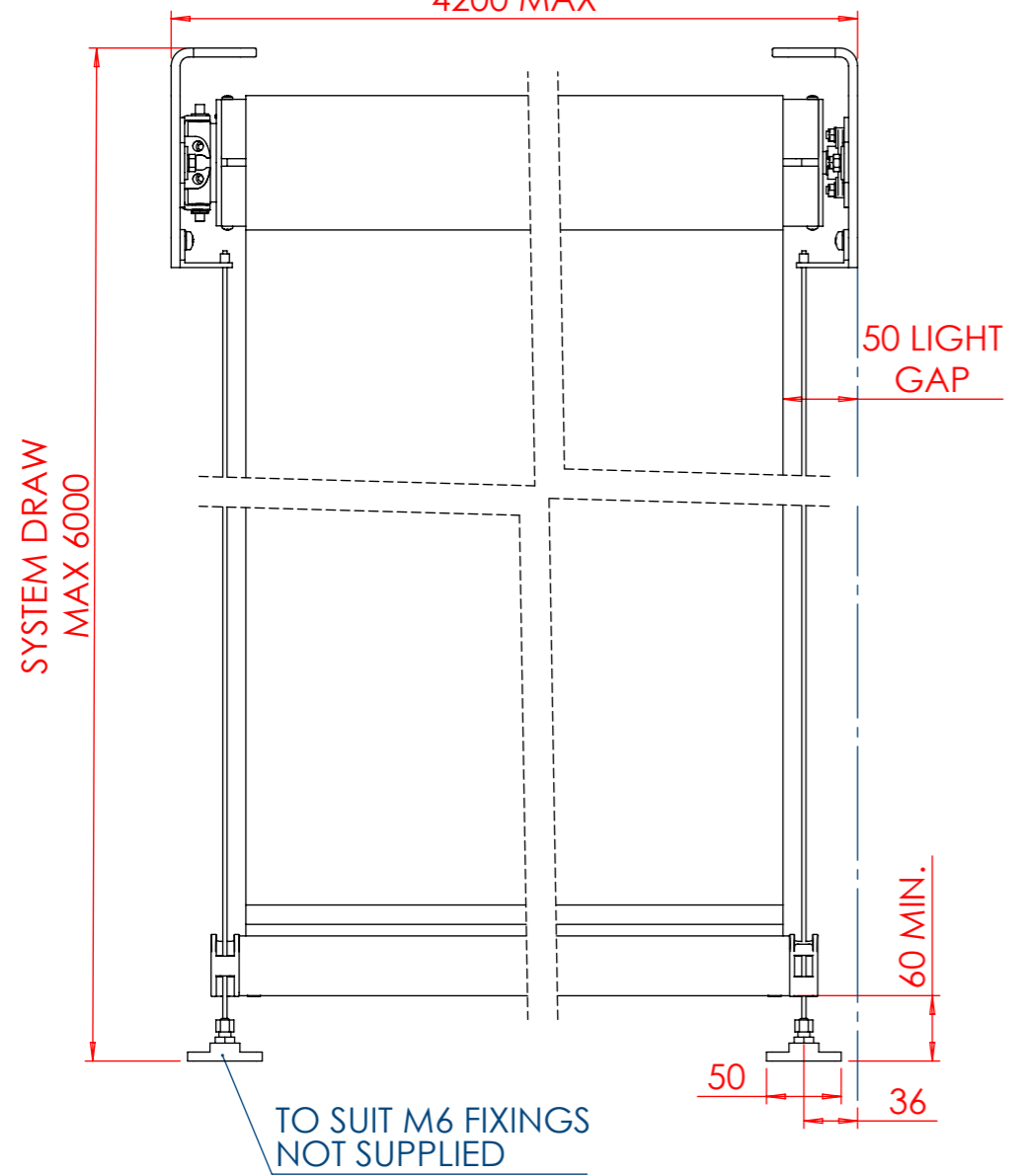


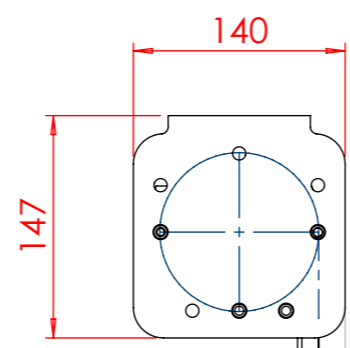
PRODUCTION	APPROVED FOR PRODUCTION
PURCHASING	APPROVED FOR PURCHASING
SALES	FOR INFORMATION ONLY
MARKETING	FOR INFORMATION ONLY



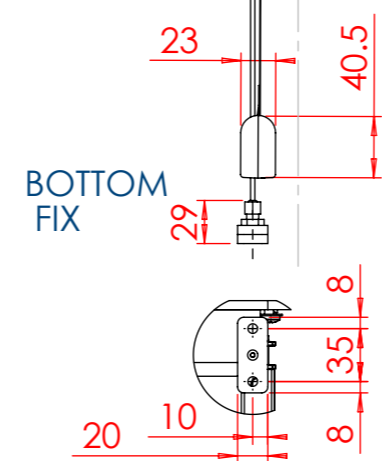
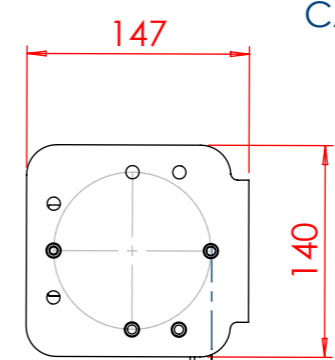
SYSTEM WIDTH +/- 2MM
710 MIN
4200 MAX



TOP FIX



BACK FIX



BOTTOM FIX

TRACKING PLATE

CABLE RETAINING BRACKET

BACK FIX TESS 308 WITH GUIDE CABLE

GUIDE CABLE

GUIDE CABLE BRACKET AND TENSION SCREW

TRACKING PLATE

TOP FIX TESS 308 WITHOUT GUIDE CABLE

BACK FIX

THIRD ANGLE PROJECTION	
REMOVE ALL SHARP EDGES	
IF IN DOUBT ASK	DO NOT SCALE
GENERAL TOLERANCES TO ISO2768-m	
ALL DIMNS.IN mm	DRAWN TO BS308

This drawing is copyright and the exclusive property of GUTHRIE DOUGLAS GROUP LTD and must not be copied, used or exhibited without prior written consent.

Guthrie Douglas

12 Heathcote Way, Heathcote Industrial Estate, Warwick CV34 6TE, UK
Tel : (01926) 310850 Fax : (01926) 832914

Customer STANDARD		
Material	Scale 1:5	Size A3
Surface Finish	Special	

TESS 308	
INSTALLATION DRAWING	

Product Group SOLAR			Item No. N/A
Drawn julian.harding	Date 05-12-2014	Checked thomas.allies	Date 14-05-2025
DRG.NO: GDP11308 / 05			
SHEET 1 OF 1 SHEETS			